

Sector Carrier Class 5-20

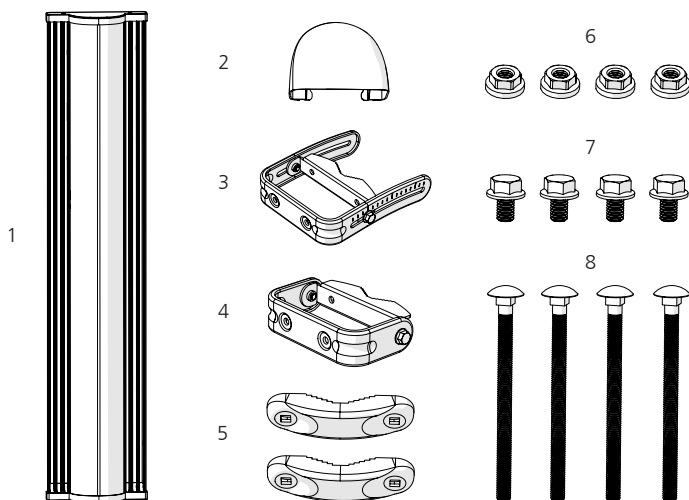
Sector Antenna With CARRIER CLASS Performance



Sector Carrier Class 5-20

3

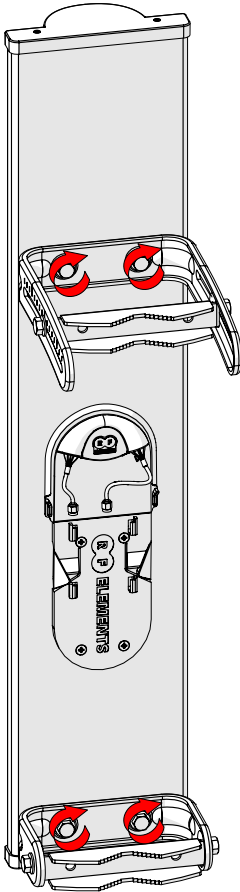
Package Contents



Number	Description	Quantity
1	Sector Antenna	1x
2	Cover	1x
3	Bracket Top	1x
4	Bracket Bottom	1x
5	Pole Clamp	2x
6	Nut M8	4x
7	M8 x 16mm Screw	4x
8	M8 x 120mm Screw	4x

Sector Carrier Class 5-20

Installation Guide

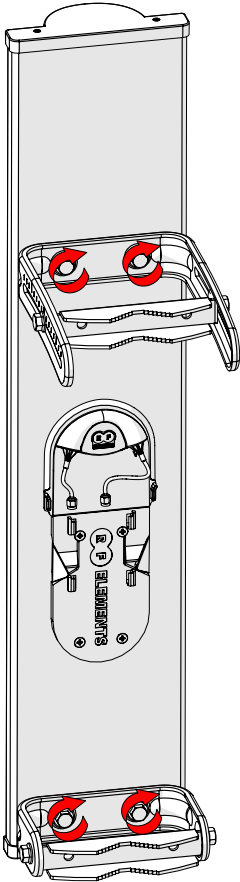


1. First Install Top

2. Then Install Bottom

Sector Carrier Class 5-20

Installation Guide

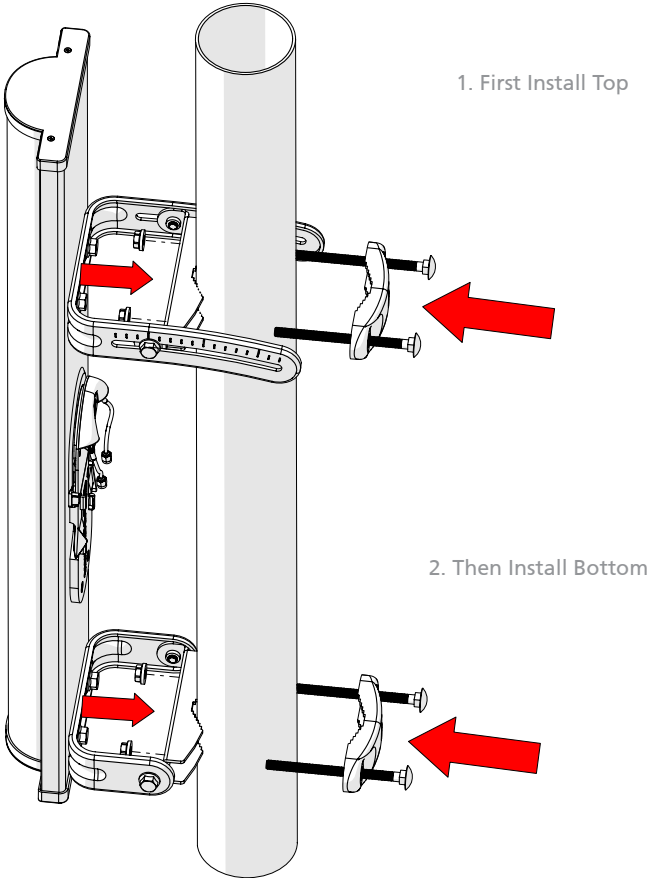


1. First Install Top

2. Then Install Bottom

Sector Carrier Class 5-20

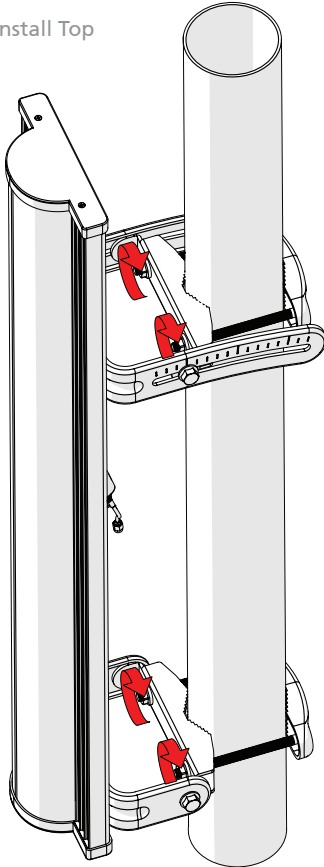
Installation Guide



Sector Carrier Class 5-20

Installation Guide

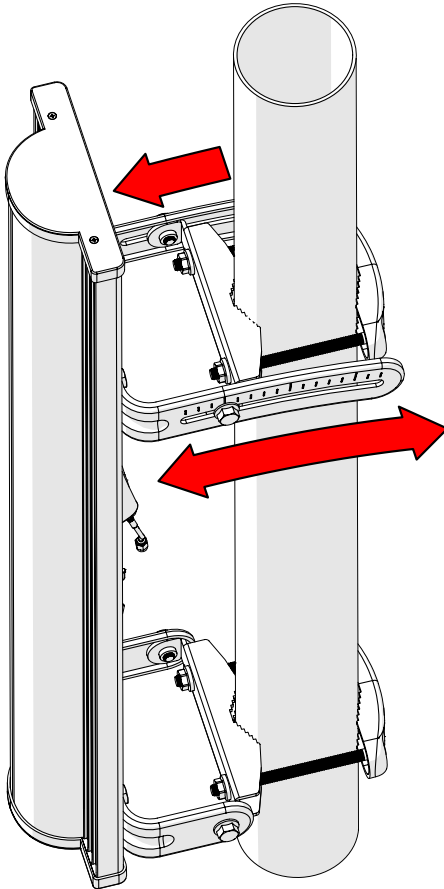
1. First Install Top



2. Then Install Bottom

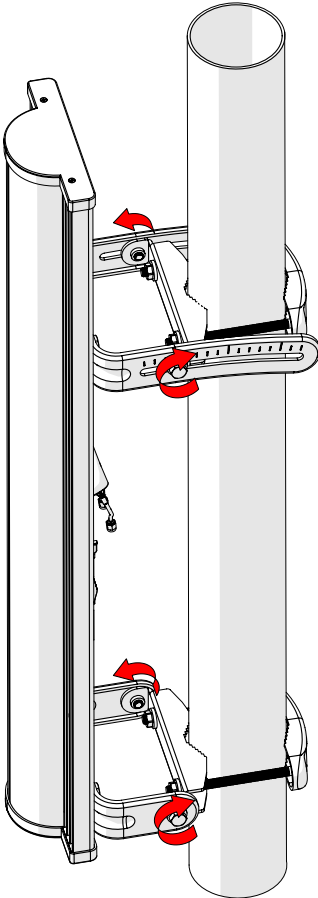
Sector Carrier Class 5-20

Installation Guide



Sector Carrier Class 5-20

Installation Guide

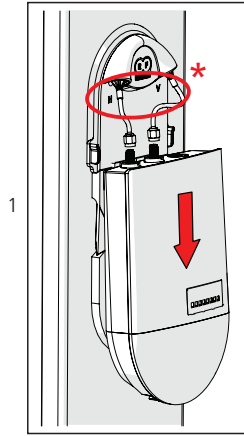
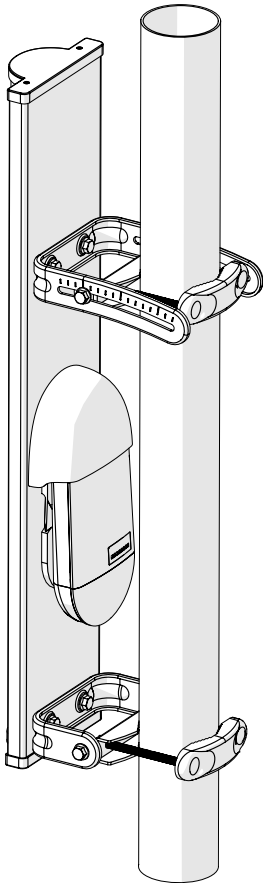


1. First Install Top

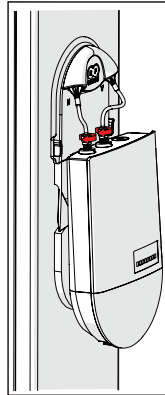
2. Then Install Bottom

Sector Carrier Class 5-20

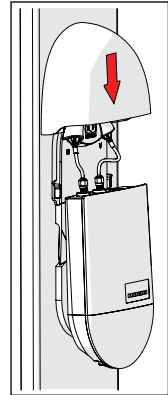
Installation Guide



2



3



* Antenna Port H - Horizontal Polarization
Antenna Port V - Vertical Polarization

Compatible Devices:

RF elements®

StationBox® S,
StationBox® S CARRIER CLASS,
RockShield™

Ubiquiti Networks™

Rocket™ M5,
Rocket™ M5 Titanium
Rocket™ 5AC-Lite
Rocket™ 5AC
Rocket™ M5AC

Cambium Networks™

ePMP™ 1000 Connectorized Radio*

MikroTik™

BaseBox 5**
NetBox 5**
NetMetal 5**

*with EasyBracket™ for ePMP™

**with EasyBracket™ 912

RF elements®, StationBox®, NanoBracket™ and RockShield™ are trademarks of RF elements s.r.o., Humenne, Slovakia.

Ubiquiti Networks™ and Rocket™ are trademarks of Ubiquiti Networks, Inc., San Jose, California.

Cambium Networks™ and ePMP™ are trademarks of Cambium Networks, Ltd., Rolling Meadows, Illinois.

MikroTik™ is trademark of MikroTik, Aizkraukles iela 23, Riga, LV-1006 Latvia.

All rights of respective trademark owners reserved.



RF elements s.r.o.
Phone: +421 2 3260 3711
info@rfelements.com
www.rfelements.com